

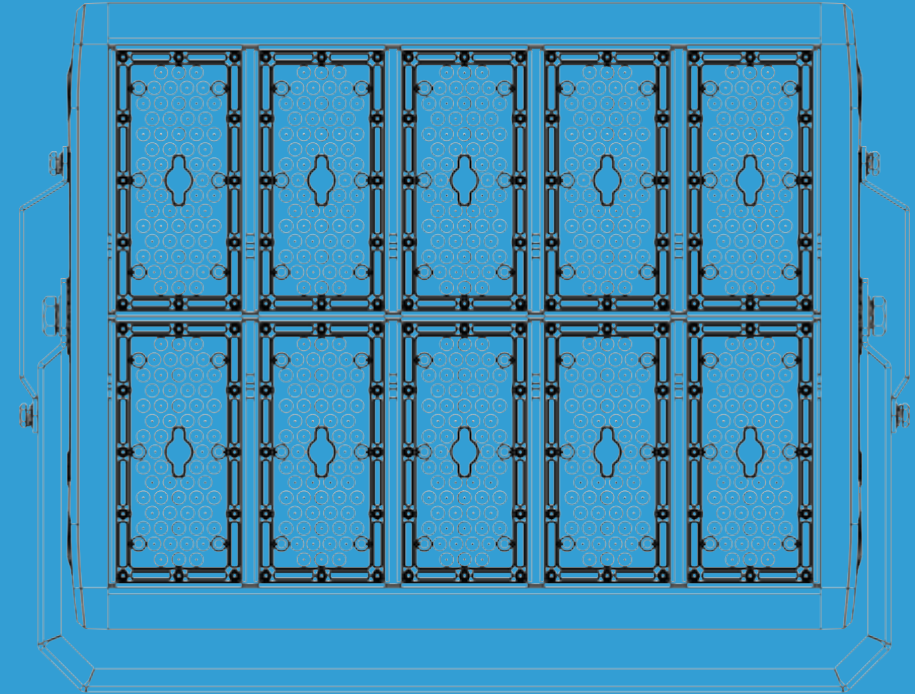
# Barlux – LED reflektory S3

[www.barlux.cz](http://www.barlux.cz)

80 - 1 000 W

---

BARCCO Systém s.r.o. – výhradní dovozce pro ČR  
E-mail: [barlux@barlux.cz](mailto:barlux@barlux.cz)  
[www.barlux.cz](http://www.barlux.cz)  
1. Čs. armádního sboru 1322 708 00 Ostrava-Poruba

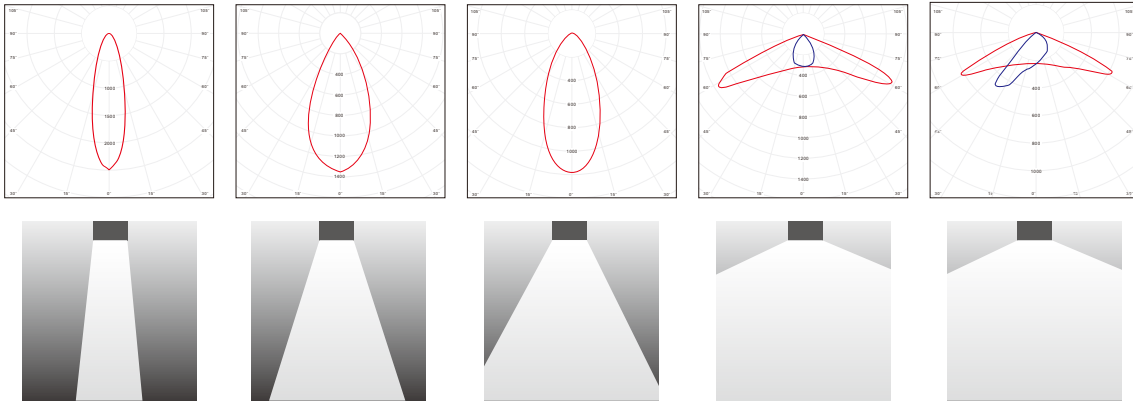


## Description

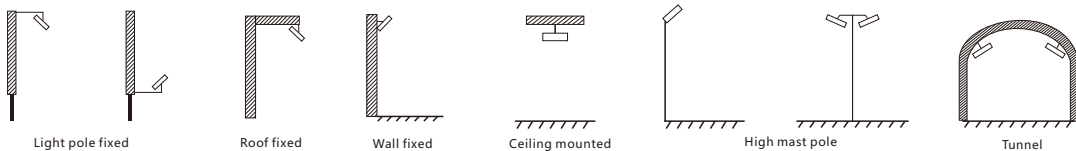
### LED Flood light 80-1000W

1. Distributed LED and mould designing, small lumens depreciation and Long life-span.
2. More than 90% light-emitting area, higher light efficiency and more energy efficient.
3. Lift style installation suit for various occasions.
4. Nano coating heatsink Technology, lighter and safer.
5. Special surface treatment, suit for various bad environment even the sea water.
6. Multi-angle optics designing, applied more widely.

### Photometric Distribution



### Installation Guideline



## Catalog introduction

80~600W.....3~12P

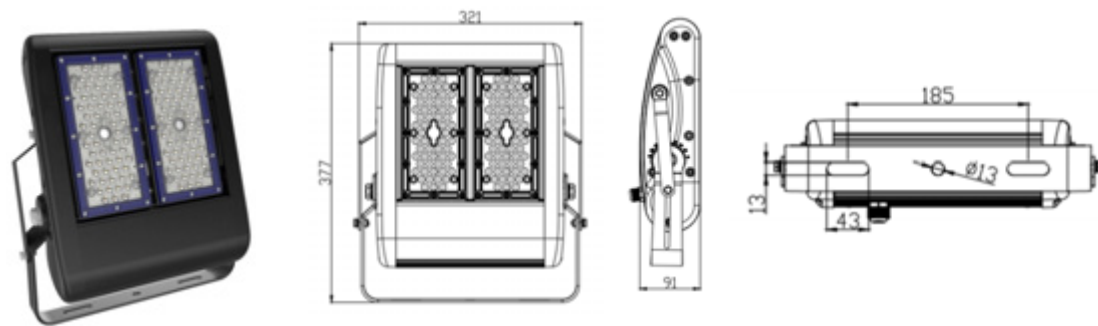
800~1000W .....13~14P

### New product

LED Gas Station Light .....15~16P

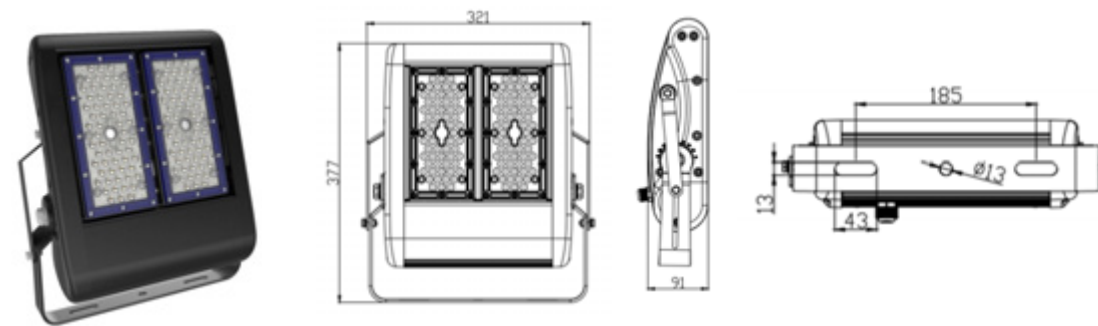
Strip High Bay Light .....17~18P

## 80W



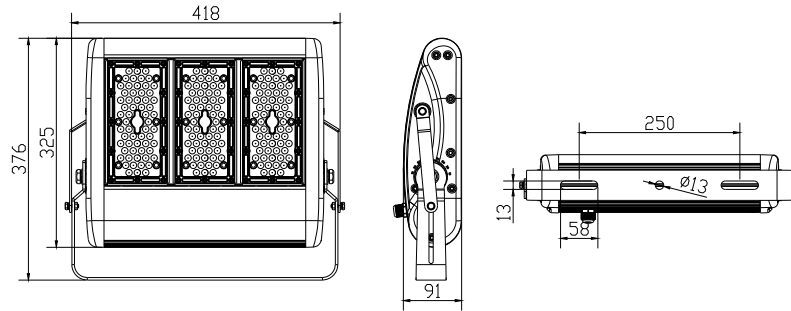
LED Chips	60PCS/3030*2module Philips Lumileds
LED Driver	Meanwell HLG-100H-36A 1PCS
LED Power	80W
Color Temperature	
Luminous flux	9600 lm
Beam angle	30°/60°/90°/60X135°/85X135°
Input Voltage	AC90~305V 50/60Hz
control mode	switch/Dmx512/DALI/0-10V/Zigbee
Rotation angle	0-270°
housing material	aluminium alloy
Working Temperature	- 25°C- + 45°C
IP Rating	IP65
Net weight	5 KG
Packing size	377*321*91MM


## 100W



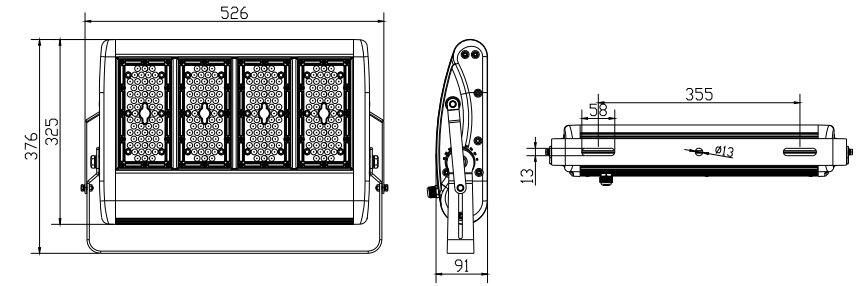
LED Chips	60PCS/3030*2module Philips Lumileds
LED Driver	Meanwell HLG-120H-36A 1PCS
LED Power	100W
Color Temperature	
Luminous flux	12000 lm
Beam angle	30°/60°/90°/60X135°/85X135°
Input Voltage	AC90~305V 50/60Hz
control mode	switch/Dmx512/DALI/0-10V/Zigbee
Rotation angle	0-270°
housing material	aluminium alloy
Working Temperature	- 25°C- + 45°C
IP Rating	IP65
Net weight	5.5 KG
Packing size	377*321*91MM


# 150W



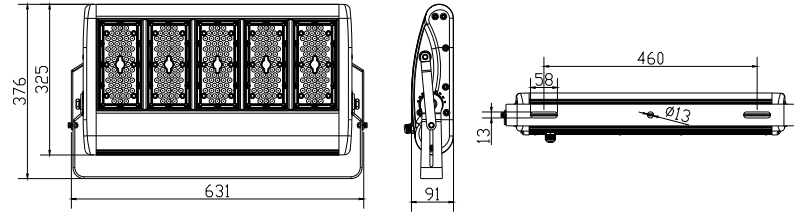
LED Chips	60PCS/3030*3module Philips Lumileds
LED Driver	Meanwell HLG-185H-36A 1PCS
LED Power	150W
Color Temperature	
Luminous flux	18000 lm
Beam angle	30°/60°/90°/60X135°/85X135°
Input Voltage	AC90~305V 50/60Hz
control mode	switch/Dmx512/DALI/0-10V/Zigbee
Rotation angle	0-270°
housing material	aluminium alloy
Working Temperature	- 25°C- + 45°C
IP Rating	IP65
Net weight	8 KG
Packing size	376*418*91MM

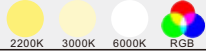
# 200W



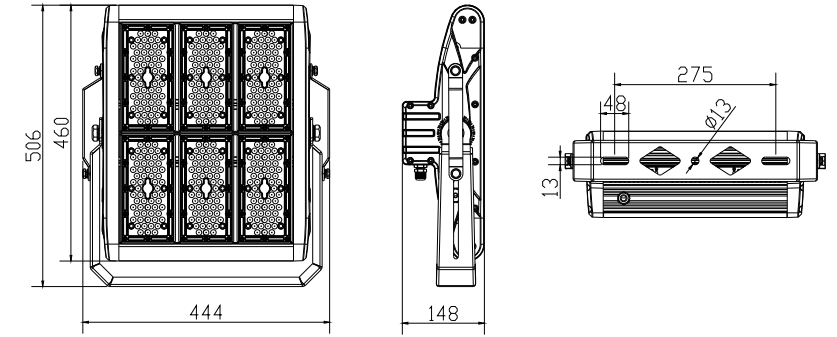
LED Chips	60PCS/3030*4module Philips Lumileds
LED Driver	Meanwell HLG-240H-36A 1PCS
LED Power	200W
Color Temperature	
Luminous flux	24000 lm
Beam angle	30°/60°/90°/60X135°/85X135°
Input Voltage	AC90~305V 50/60Hz
control mode	switch/Dmx512/DALI/0-10V/Zigbee
Rotation angle	0-270°
housing material	aluminium alloy
Working Temperature	- 25°C- + 45°C
IP Rating	IP65
Net weight	9 KG
Packing size	376*526*91MM

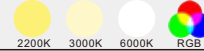
## 250W



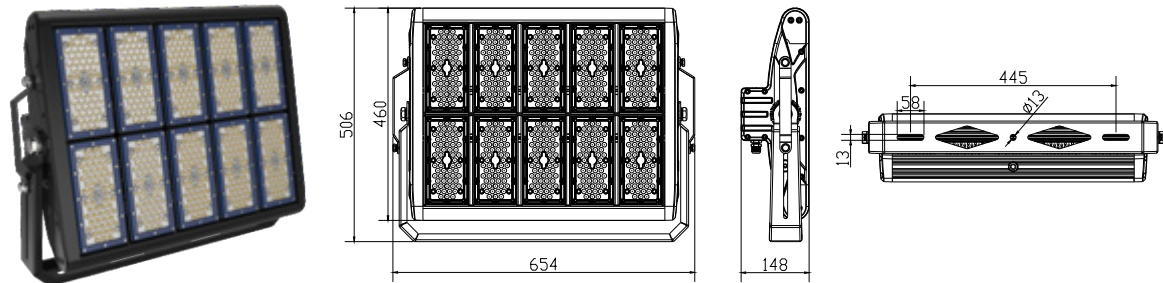
LED Chips	60PCS/3030*5module Philips Lumileds
LED Driver	Meanwell HLG-150H-36A 2PCS
LED Power	250W
Color Temperature	
Luminous flux	30000 lm
Beam angle	30°/60°/90°/60X135°/85X135°
Input Voltage	AC90~305V 50/60Hz
control mode	switch/Dmx512/DALI/0-10V/Zigbee
Rotation angle	0-270°
housing material	aluminium alloy
Working Temperature	- 25°C- + 45°C
IP Rating	IP65
Net weight	10 KG
Packing size	376*631*91MM

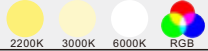
## 300W



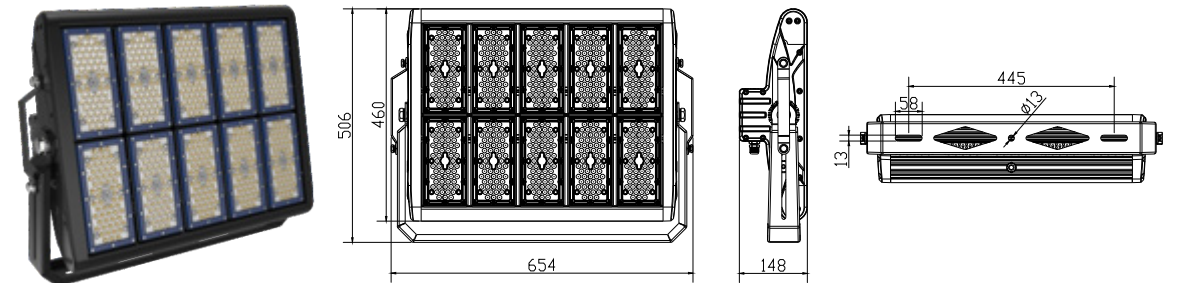
LED Chips	60PCS/3030*6module Philips Lumileds
LED Driver	Meanwell HLG-320H-36A 1PCS
LED Power	300W
Color Temperature	
Luminous flux	36000 lm
Beam angle	30°/60°/90°/60X135°/85X135°
Input Voltage	AC90~305V 50/60Hz
control mode	switch/Dmx512/DALI/0-10V/Zigbee
Rotation angle	0-270°
housing material	aluminium alloy
Working Temperature	- 25°C- + 45°C
IP Rating	IP65
Net weight	14 KG
Packing size	506*444*148MM

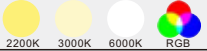
# 400W



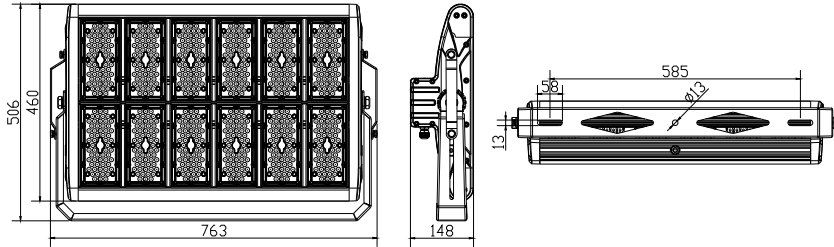
LED Chips	60PCS/3030*10module Philips Lumileds
LED Driver	Meanwell HLG-240H-36A 2PCS
LED Power	400W
Color Temperature	
Luminous flux	48000 lm
Beam angle	30°/60°/90°/60X135°/85X135°
Input Voltage	AC90~305V 50/60Hz
control mode	switch/Dmx512/DALI/0-10V/Zigbee
Rotation angle	0-270°
housing material	aluminium alloy
Working Temperature	- 25°C- + 45°C
IP Rating	IP65
Net weight	16 KG
Packing size	506*654*148MM

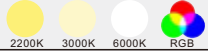
# 500W



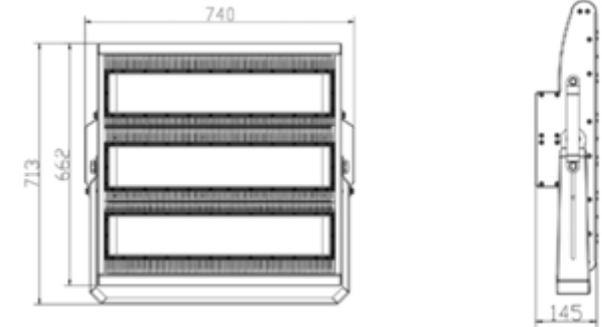
LED Chips	60PCS/3030*10module Philips Lumileds
LED Driver	Meanwell HLG-320H-36A 2PCS
LED Power	500W
Color Temperature	
Luminous flux	60000 lm
Beam angle	30°/60°/90°/60X135°/85X135°
Input Voltage	AC90~305V 50/60Hz
control mode	switch/Dmx512/DALI/0-10V/Zigbee
Rotation angle	0-270°
housing material	aluminium alloy
Working Temperature	- 25°C- + 45°C
IP Rating	IP65
Net weight	17 KG
Packing size	506*654*148MM


## 600W



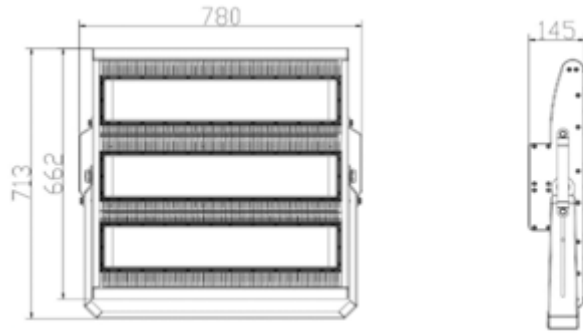
LED Chips	60PCS/3030*12module Philips Lumileds
LED Driver	Meanwell HLG-320H-36A 2PCS
LED Power	600W
Color Temperature	
Luminous flux	72000 lm
Beam angle	30°/60°/90°/60X135°/85X135°
Input Voltage	AC90~305V 50/60Hz
control mode	switch/Dmx512/DALI/0-10V/Zigbee
Rotation angle	0-270°
housing material	aluminium alloy
Working Temperature	- 25°C- + 45°C
IP Rating	IP65
Net weight	16 KG
Packing size	506*763*148MM

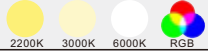
## 800W



LED Chips	Philips Lumileds/Cree
LED Driver	Meanwell HLG-320H-36A 3PCS
LED Power	800W
Color Temperature	
Luminous flux	88000 lm
Beam angle	15°/30°/60°/90°/60X135°/85X135°
Input Voltage	AC90~305V 50/60Hz
control mode	switch/Dmx512/DALI/0-10V/Zigbee
Rotation angle	0-270°
housing material	aluminium alloy
Working Temperature	- 25°C- + 45°C
IP Rating	IP65
Net weight	32 KG
Packing size	713*740*145MM

# 1000W



LED Chips	Philips Lumileds/Cree
LED Driver	Meanwell HLG-185H-36A 6PCS
LED Power	1000W
Color Temperature	
Luminous flux	110000 lm
Beam angle	15°/30°/60°/90°/60X135°/85X135°
Input Voltage	AC90~305V 50/60Hz
control mode	switch/Dmx512/DALI/0-10V/Zigbee
Rotation angle	0-270°
housing material	aluminium alloy
Working Temperature	- 25°C- + 45°C
IP Rating	IP65
Net weight	38 KG
Packing size	713*780*145MM

# 50-200W

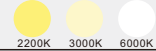
New product



(Ceiling Recessed Type)



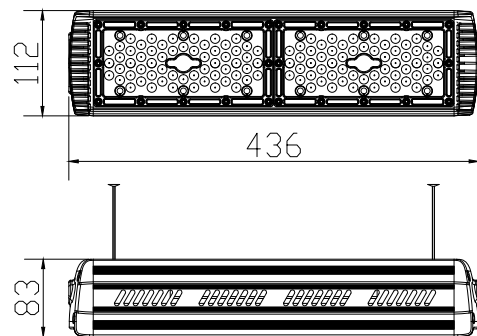
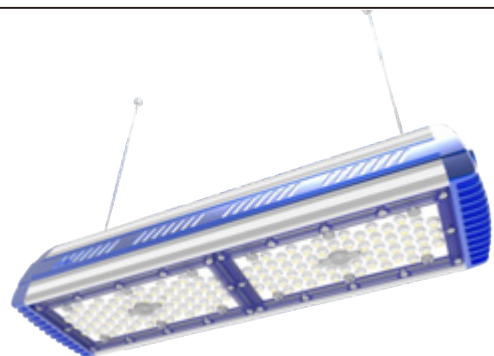
(Surface Mounting Type)


LED Chips	60PCS/3030 Philips Lumileds
LED Driver	Meanwell
LED Power	50-200W
Color Temperature	
Luminous flux	120LM/W
Beam angle	30°/60°/90°/60X135°/85X135°
Input Voltage	AC90~305V 50/60Hz
control mode	switch/Dmx512/DALI/0-10V/Zigbee
Rotation angle	0-270°
housing material	aluminium alloy
Working Temperature	- 25°C- + 45°C
IP Rating	IP65
Net weight	--
Packing size	customized



50-200W

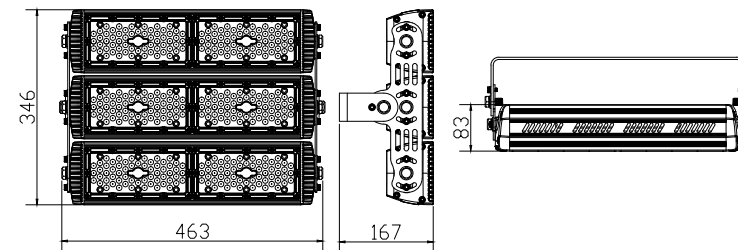
New product

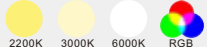


LED Chips	60PCS/3030 Philips Lumileds
LED Driver	Meanwell
LED Power	50-200W
Color Temperature	
Luminous flux	120LM/W
Beam angle	30°/60°/90°/60X135°/85X135°
Input Voltage	AC90~305V 50/60Hz
control mode	switch/Dmx512/DALI/0-10V/Zigbee
Rotation angle	0-270°
housing material	aluminium alloy
Working Temperature	- 25°C- + 45°C
IP Rating	IP65
Net weight	7KG
Packing size	---

300-400W

New product



LED Chips	60PCS/3030 Philips Lumileds
LED Driver	Meanwell
LED Power	300-400W
Color Temperature	
Luminous flux	120LM/W
Beam angle	30°/60°/90°/60X135°/85X135°
Input Voltage	AC90~305V 50/60Hz
control mode	switch/Dmx512/DALI/0-10V/Zigbee
Rotation angle	0-270°
housing material	aluminium alloy
Working Temperature	- 25°C- + 45°C
IP Rating	IP65
Net weight	22KG
Packing size	---